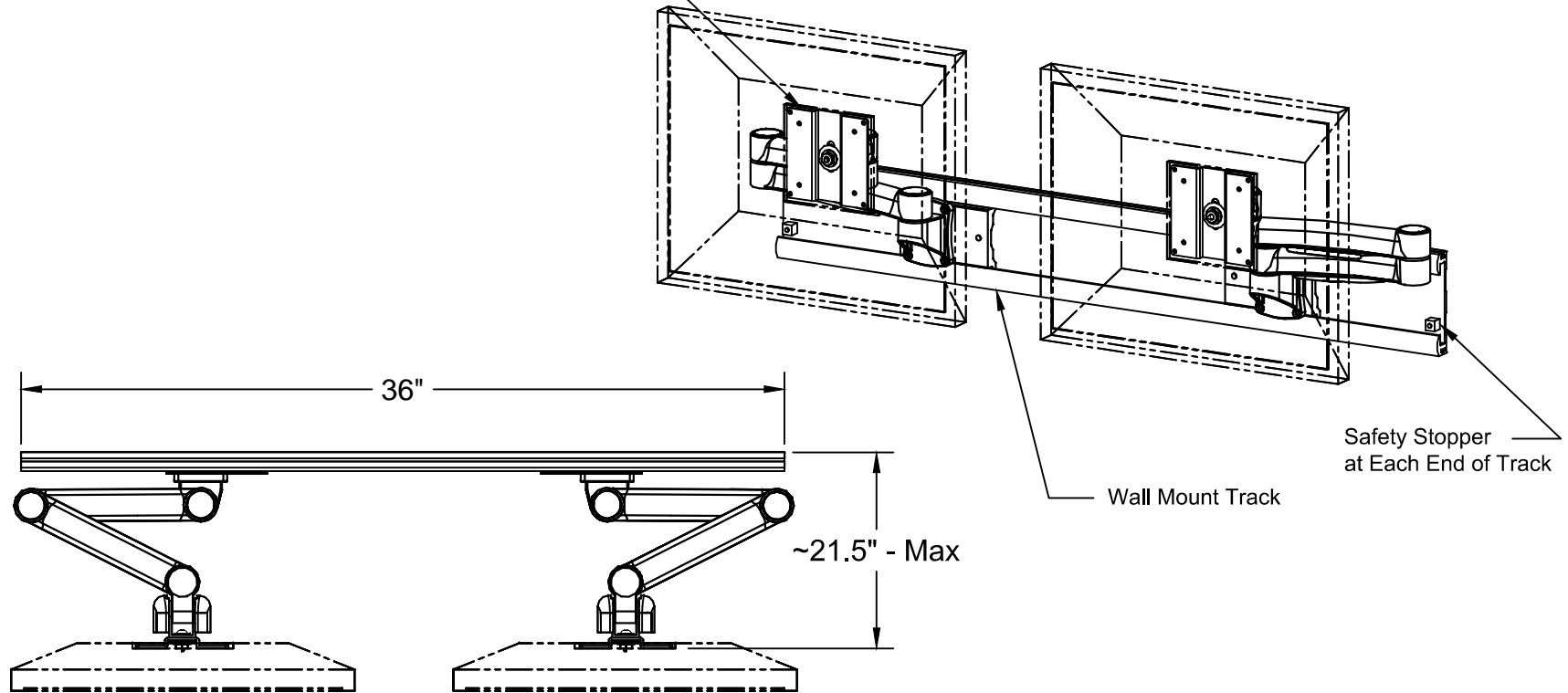


(2) AFCZ5-88
VESA 75/100 Compliant
Monitor Holders on Sliders

ISOMETRIC VIEW



TOP VIEW

NOTES :	MATERIAL :	DRAWN BY: BD	DATE: 4/23/15	DESCRIPTION :
	TOLERANCES UNLESS OTHERWISE SPECIFIED	A P P R O V E D		Wall Mount Horizontal
	FRACTIONAL ±1/64 2 PLC. DEC. ±.01 3PLC. DEC. ±.001 ANGULAR ±.5° FINISH √	ENG :		USED ON :
		MFG :		PATH :
		QA :		\\Fin.Assy\WallMount\Horizontal\
		SCALE: ~1-1/2" = 1' - 0"	SHEET: 1 OF 1	PDF NAME: WMH36_2FZ5-88_01
				REV: SIZE A