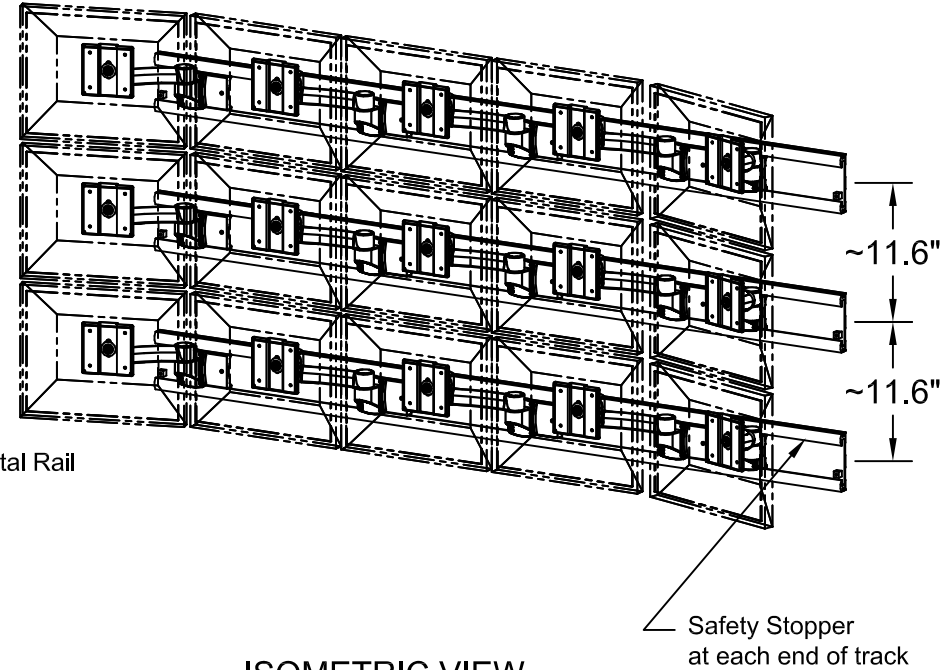


TOP VIEW



ISOMETRIC VIEW

| | | | | | |
|---------|---|-----------------------|----------------|--|---|
| NOTES : | MATERIAL : | DRAWN BY : BD | DATE: 10/16/12 | DESCRIPTION : Wall Mount Horizontal | |
| | TOLERANCES UNLESS OTHERWISE SPECIFIED FRACTIONAL ±1/64 2 PLC, DEC. ±.01 3PLC, DEC. ±.001 ANGULAR ±.5° FINISH ∇_{32} | A P P R O V E D | | USED ON : | PATH : \\Fin.Assy\Wall Mount\Horizontal\ |
| | | ENG : | | PDF NAME: | REV: SIZE |
| | | MFG : | | WMH66_(5Z5-60x3)M17_01 | A |
| | | QA : | | | |
| | | SCALE: ~ 1" = 1' - 0" | SHEET : 1 OF 1 | | |