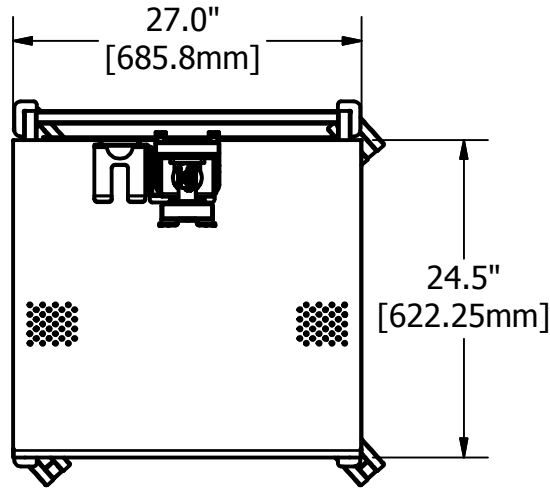


REF # :MR24418

AFC part# : US_AF2724_SS_1F_1LC_01 Rev 1

Top View
Scale 1:15



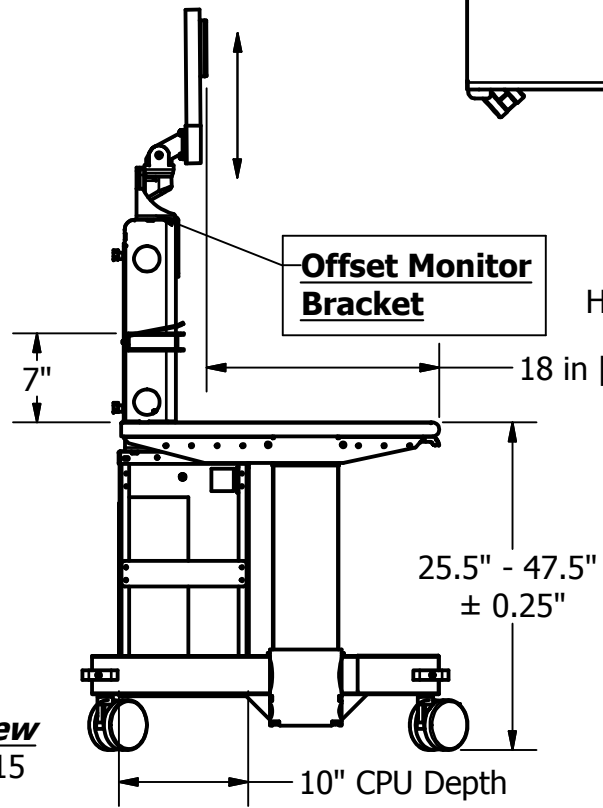
AFCZ5-00
VESA 75/100
compliant monitor
offset
holder with tilt, pan
and no tool required
height adjustment

Metal Worksurface with
powder coat finish+
Stainless Steel Cover Top

Scanner holder
on side bracket

Holes for additional accessories

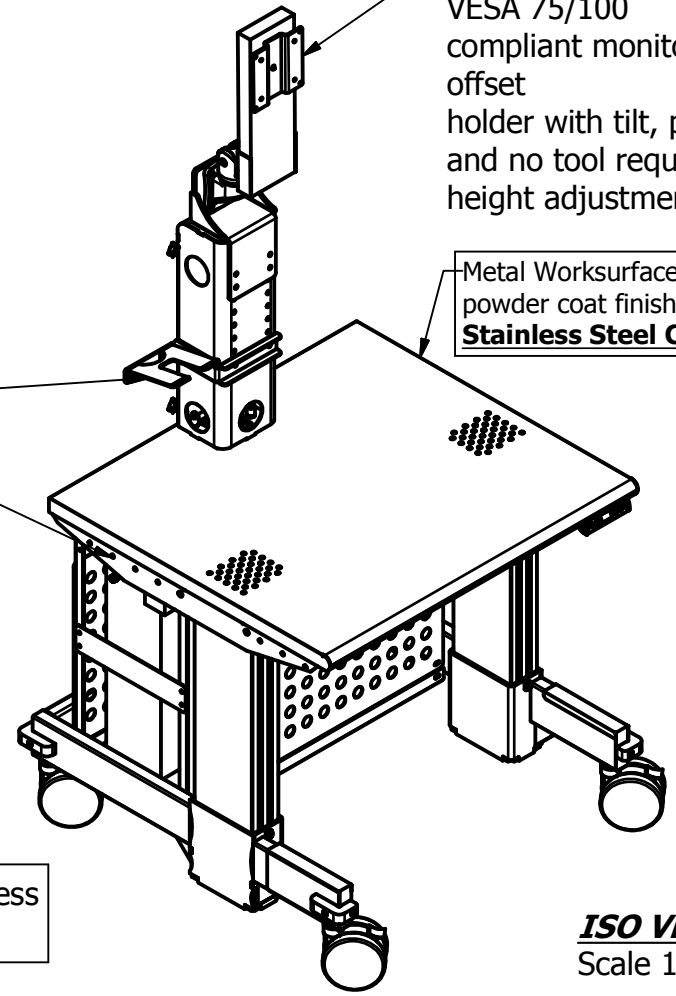
**Offset Monitor
Bracket**



Side View
Scale 1:15

(4)Corner Guard (Gray)+Stainless
steel front leg cover

ISO View
Scale 1:12



NOTES:
Final Design May Vary

Tolerances:
Height ±1"
Surface Dims. ± 0.5"

SHEET 1 OF 2
SCALE: As Shown

DATE: 4/14/2021

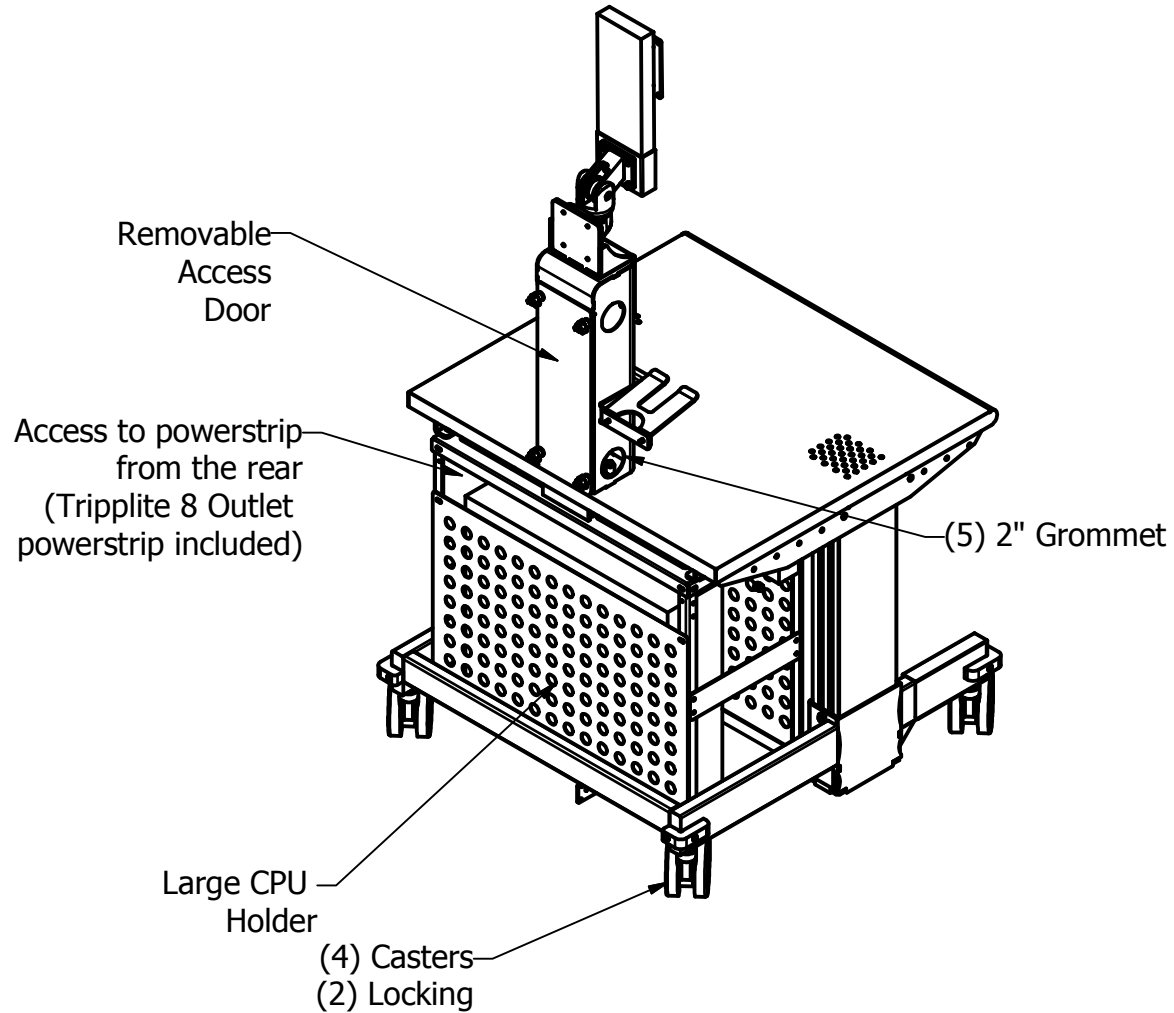
DRAWN BY: RR

DESCRIPTION:

P/N: US_AF2724_SS_1F_1LC_01 Rev 1.idw

REF # :MR24418

AFC part# : US_AF2724_SS_1F_1LC_01 Rev 1



NOTES:
Final Design May Vary

Tolerances:
Height $\pm 1"$
Surface Dims. $\pm 0.5"$

SHEET 2 OF 2
SCALE: As Shown

DATE: 4/14/2021

DRAWN BY: RR

DESCRIPTION:

P/N: US_AF2724_SS_1F_1LC_01 Rev 1.idw