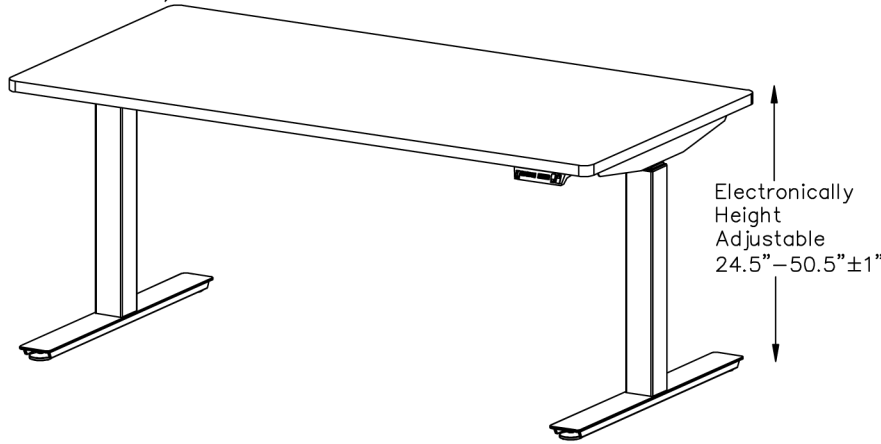
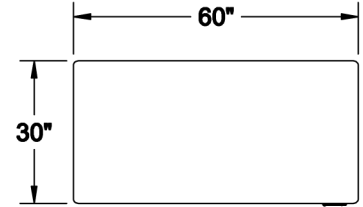




30" Deep  
 Work Surface  
 with laminate top  
 and PVC or  
 similar Edge



**ISOMETRIC VIEW**



**TOP VIEW**

NOTES :	MATERIAL :	DRAWN BY : GM	DATE: 10/30/15	DESCRIPTION :
	AS NOTED ABOVE	A P P R O V E D		USED ON :
	TOLERANCES UNLESS OTHERWISE SPECIFIED	ENG :		PATH :
	FRACTIONAL ±1/64	MFG :		
	2 PLC. DEC. ±.01	QA :		
3PLC. DEC. ±.001	SCALE : N.T.S.	SHEET : 1 OF 1	PDF NAME: AD6030_ST_T_01	REV: SIZE A
ANGULAR ±.5				
FINISH √				