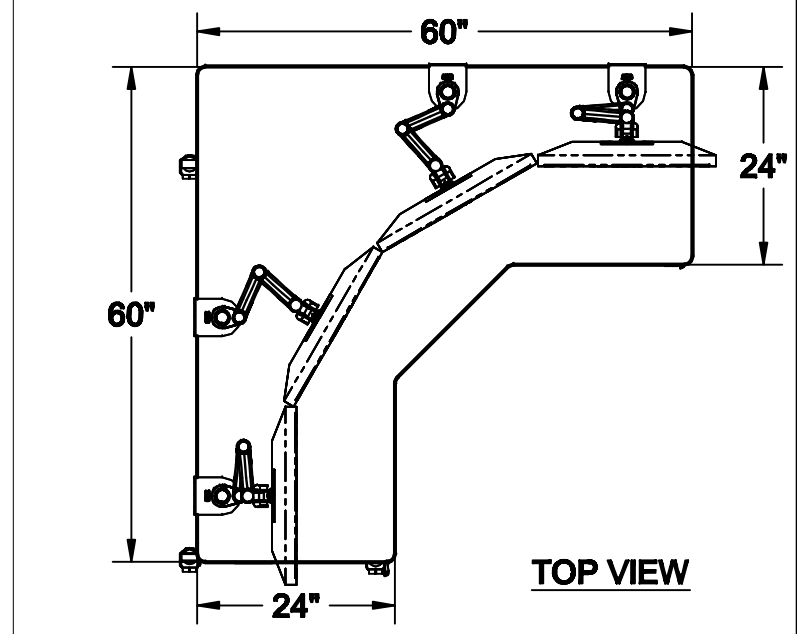
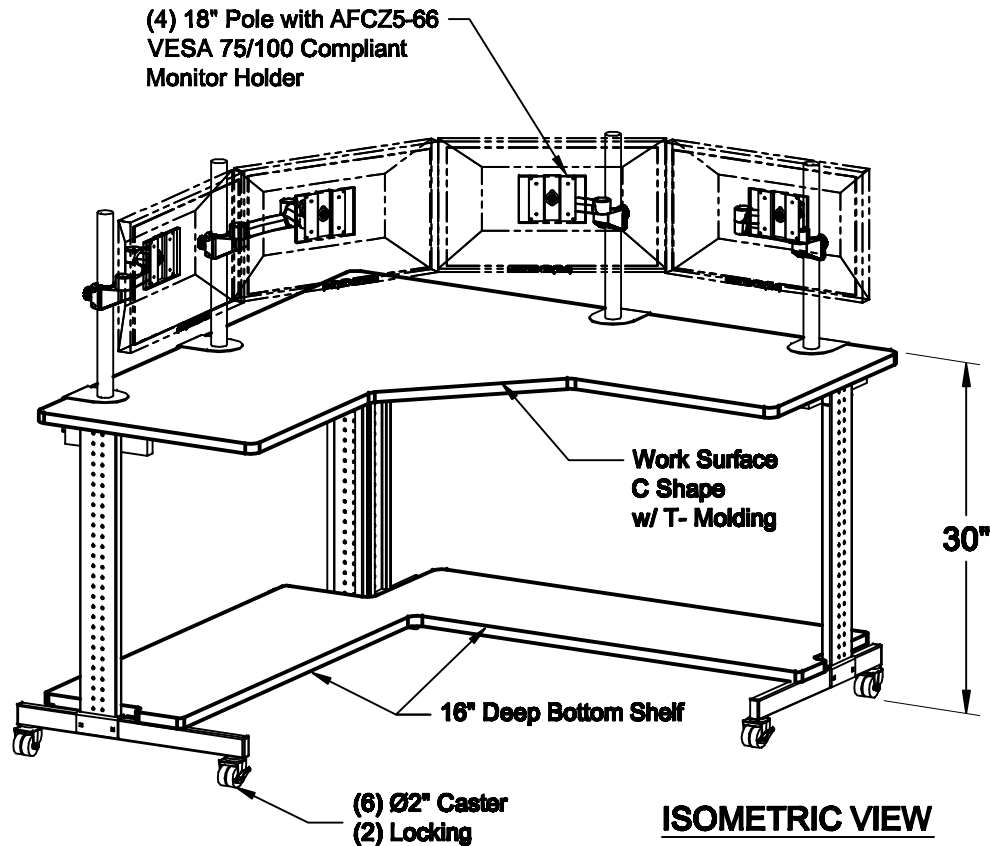




13-16 133 PLACE  
COLLEGE POINT, NY 11356

TEL: (718)747-0237  
FAX: (718)747-0726

THE PLANS AND DRAWINGS CONTAINED HEREIN ARE PROPRIETARY AND MAY NOT BE COPIED OR REPRODUCED MECHANICALLY, ELECTRONICALLY OR BY ANY MEANS WITHOUT WRITTEN PERMISSION FROM AFC INDUSTRIES, INC.



NOTES :

Shown Images of  
(4) 23" (Aspect Ratio 16:9)  
Monitors

MATERIAL :  
AS NOTED ABOVE

TOLERANCES UNLESS OTHERWISE SPECIFIED

FRACTIONAL	±1/64
2 PLC. DEC.	±.01
3PLC. DEC.	±.001
ANGULAR	±.5°
FINISH	√

DRAWN BY : BD/YN

DATE: 05/16/12

DESCRIPTION :

Corner Smart Cart

A P P R O V E D

SKU NUMBER :

772708

ENG :

MFG :

QA :

SCALE : N.T.S.

SHEET : 1 of 3

PATH :

V:\Assembly\Carts&Racks\Smart Cart\CSC\6000\

PDF NAME:

CSC60602424\_T\_C\_0\_4FZ\_0\_0\_B\_01