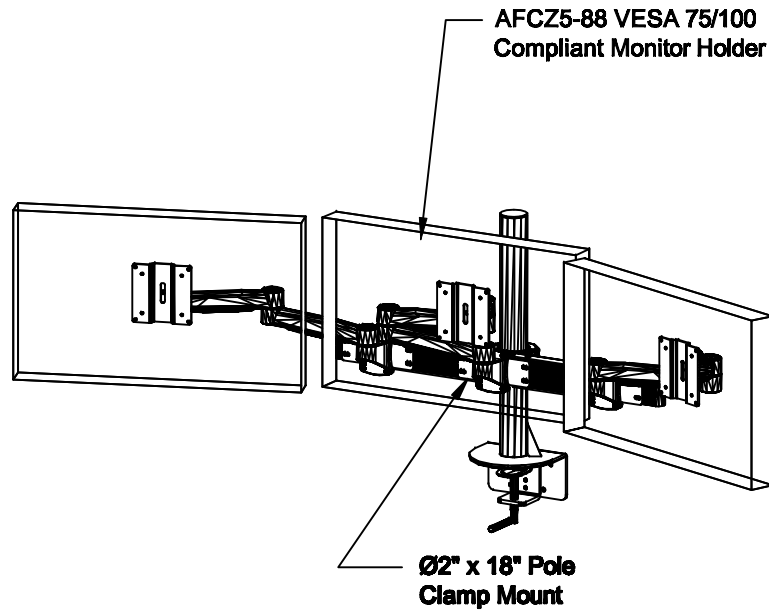


**TOP VIEW**



**ISOMETRIC VIEW**

**NOTES:**  
Shown Images of 17.4" W x 15.3"H Monitors

**MATERIAL:**  
.  
  
TOLERANCES UNLESS OTHERWISE SPECIFIED  
FRACTIONAL ±1/64  
2 PLC. DEC. ±.01  
3PLC. DEC. ±.001  
ANGULAR  
FINISH



**DRAWN BY: BD/GM**

**DATE: 04/21/16**

**DESCRIPTION:**  
Pole with 3 Horizontal Monitors

**APPROVED**

USED ON:

ENG:

MFG:

QA:

**PATH:**  
VFin.Assy\Accessories\Monitor Arms\Z500\

**SCALE: ~1" = 1' - 0"**

**SHEET: 1 OF 1**

**PDF NAME:**  
3FHZ588-24-DMC-18P2

REV: SIZE  
. A