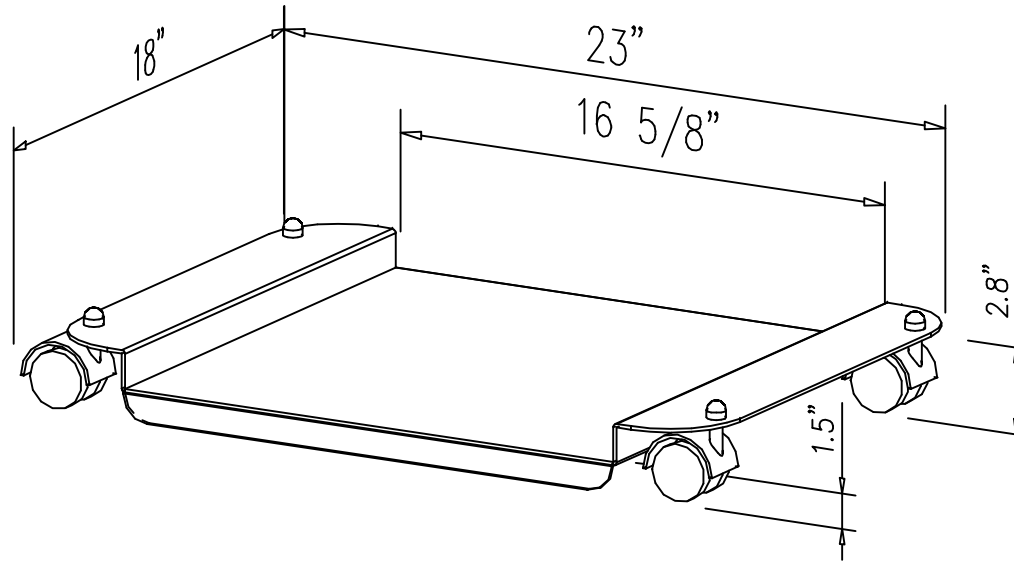




13-16 133 PLACE  
COLLEGE POINT, NY 11356

TEL: (718)747-0237  
FAX: (718)747-0726

THE PLANS AND DRAWINGS CONTAINED HEREIN ARE PROPRIETARY AND MAY NOT BE COPIED OR REPRODUCED MECHANICALLY, ELECTRONICALLY OR BY ANY MEANS WITHOUT WRITTEN PERMISSION FROM AFC INDUSTRIES, INC.



NOTES :	MATERIAL :	DRAWN BY : CEP/MG	DATE: 01/03/08	DESCRIPTION :
	AS NOTED ABOVE	A P P R O V E D		23" x 18" ROLLING SHELF, METAL
	TOLERANCES UNLESS OTHERWISE SPECIFIED	ENG :		USED ON :
	FRACTIONAL ±1/64 2 PLC. DEC. ±.01 3PLC. DEC. ±.001 ANGULAR ±.5' FINISH √	MFG :		PATH : ACCESSORIES\
		QA :		PDF NAME: EXSHR METAL 23X18
		SCALE : N.T.S.	SHEET : 1 OF 1	FOLDER : REV: SIZE A