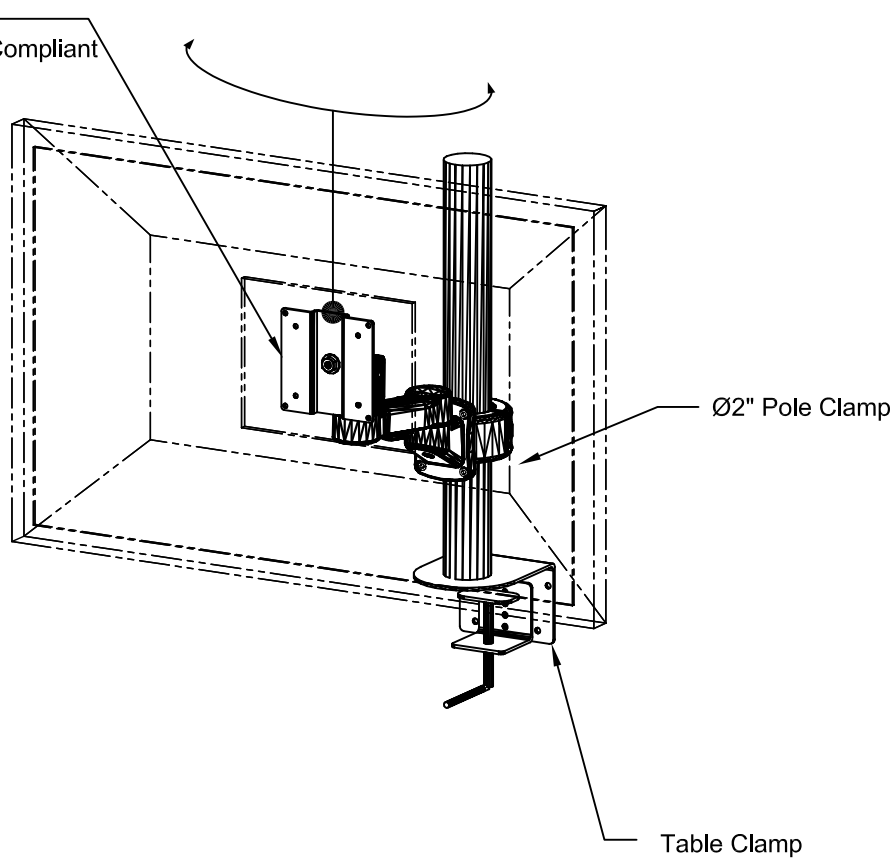
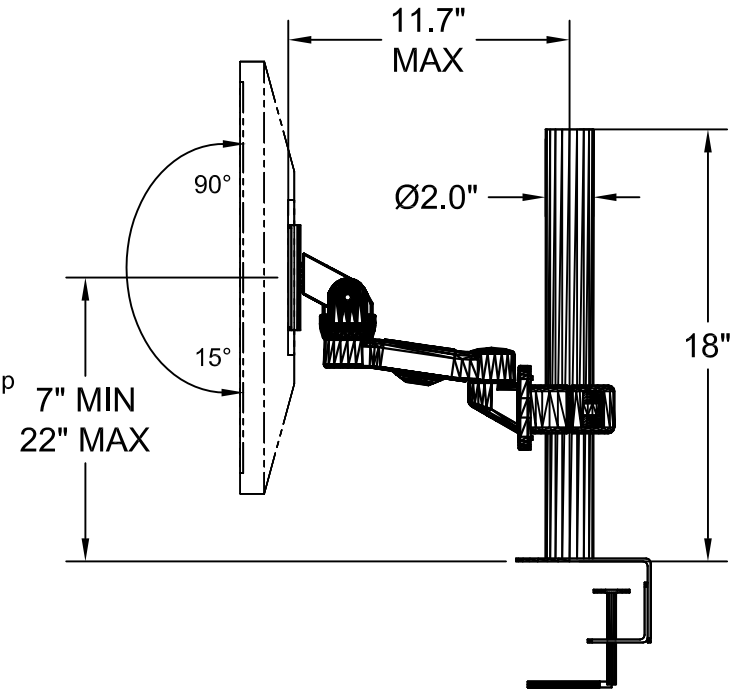


AFCZ6-60
VESA 75/100 Compliant
Monitor Holder



ISOMETRIC VIEW



SIDE VIEW

NOTES :

Shown Image of
30" Monitor
(28"Wx18"H)

MATERIAL :

TOLERANCES UNLESS
OTHERWISE SPECIFIED
FRACTIONAL ±1/64
2 PLC. DEC. ±.01
3 PLC. DEC. ±.001
ANGULAR ±.001
FINISH

±.5°
32

DRAWN BY: BD

DATE: 3/12/15

DESCRIPTION :

Monitor Holder

A P P R O V E D

ENG :

MFG :

QA :

SCALE: ~1-1/2" = 1' - 0" SHEET: 1 OF 1

USED ON :

PATH :
\\F.Assy\Accessories\Monitor Holder\Z Series\Z600\

PDF NAME:
AFCZ6-60_DMC_2-18P

REV: SIZE
. A