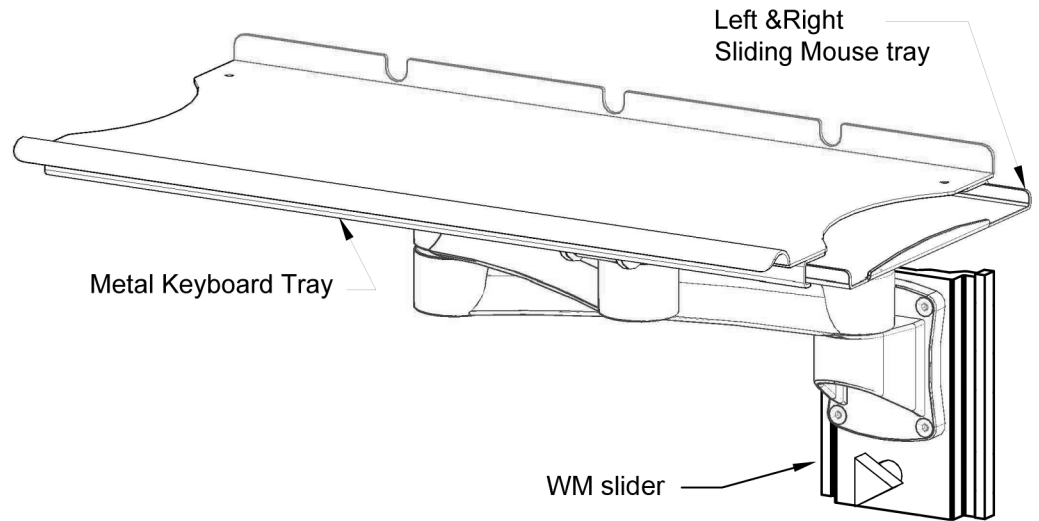
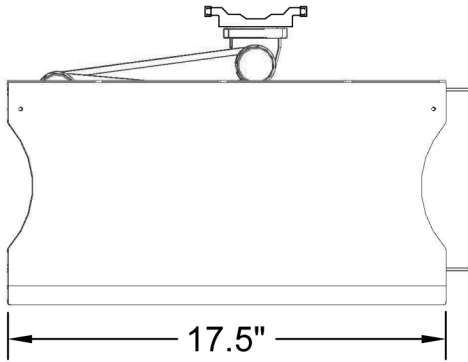
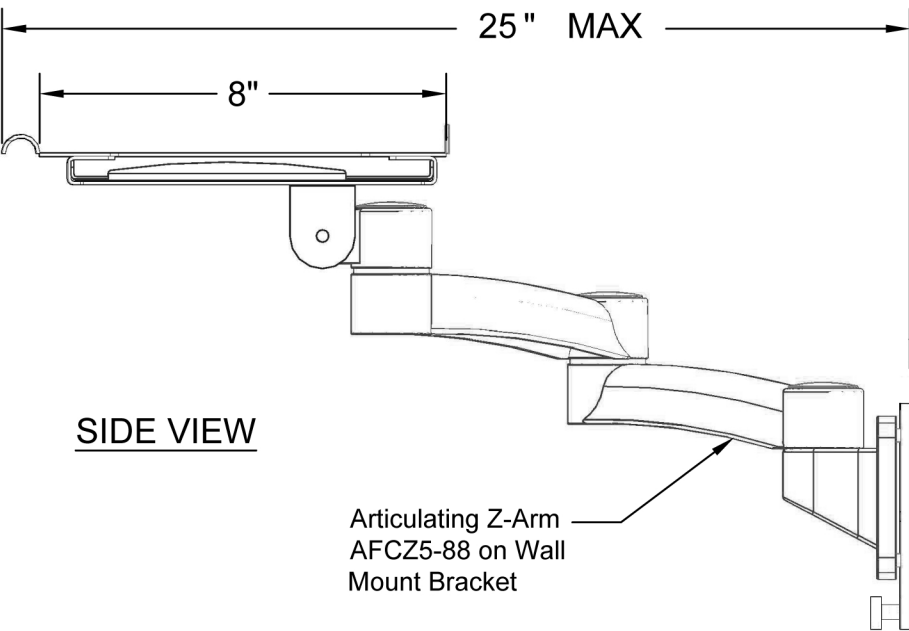


**TOP VIEW**  
SCALE: 1-1/2" = 1' - 0"

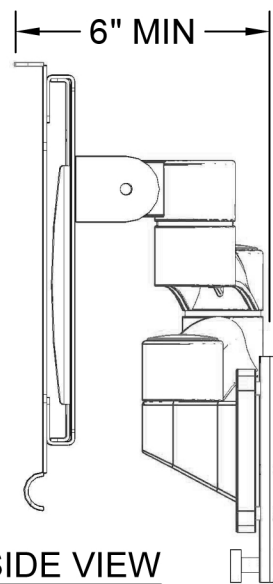


**ISOMETRIC VIEW**  
SCALE: ~3" = 1' - 0"

**SIDE VIEW**



**SIDE VIEW**  
(Folded)



NOTES:  
\* - Plate-Adapter could be done another configuration and dimensions by customer request.

MATERIAL:  
TOLERANCES UNLESS OTHERWISE SPECIFIED  
FRACTIONAL ±1/64  
2 PLC. DEC. ±.01  
3PLC. DEC. ±.001  
ANGULAR ±.5°  
FINISH

DRAWN BY: PR/BD DATE: 4/10/17

A P P R O V E D

ENG :

MFG :

QA :

SCALE: 3" = 1' - 0"

SHEET: 1 OF 1

DESCRIPTION :  
Keyboard on Z-arms

USED ON :

PATH :  
\\Fin.Assy\Accessories\Keyboard arms & Trays\

PDF NAME:  
WMP\_Z588\_KB\_01

SIZE  
A4