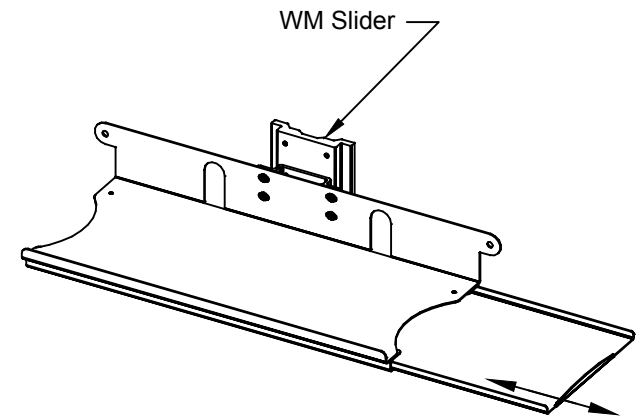


TOP VIEW



ISOMETRIC VIEW

NOTES :	MATERIAL :	DRAWN BY: BD	DATE: 8/5/15	DESCRIPTION :	
	TOLERANCES UNLESS OTHERWISE SPECIFIED FRACTIONAL ±1/64 2 PLC. DEC. ±.01 3PLC. DEC. ±.001 ANGULAR ±5° FINISH $\sqrt{32}$	APPROVED		Wall Mount KB Tray	
		ENG :		USED ON :	
		MFG :		PATH :	\Fin.Assy\Accessories\KB Arms & Tray\
		QA :		PDF NAME:	KB on WM Slider_01
		SCALE : ~1-1/2"=1'-0"	SHEET : 1 OF 1		SIZE A4