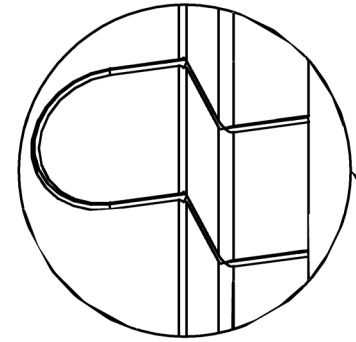


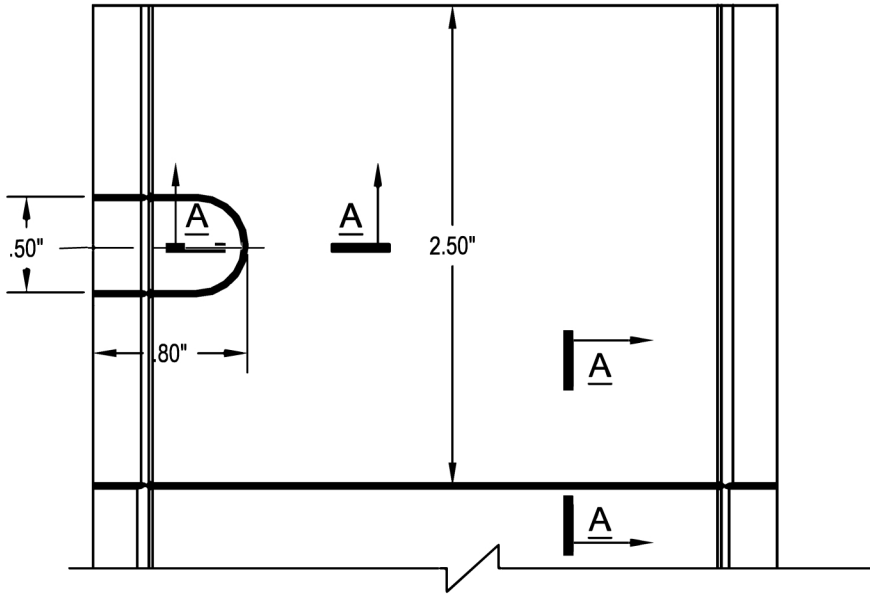
**TOP VIEW**  
SCALE 1:1



**Cover in the Working Position**

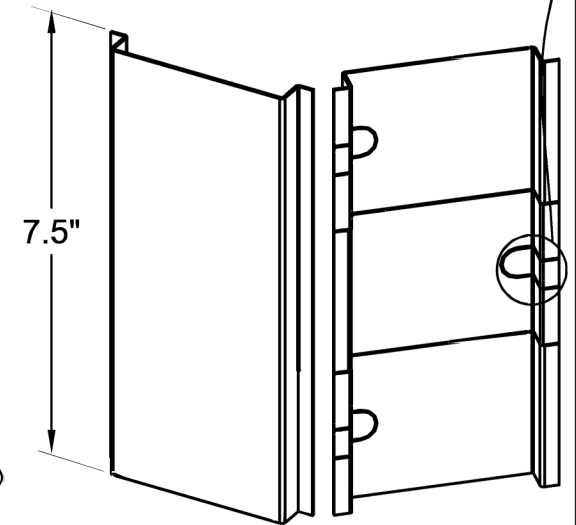


**BACK VIEW**  
SCALE 1:1



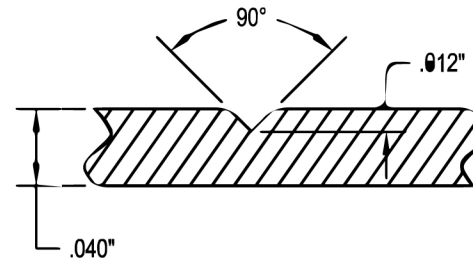
**ISOMETRIC VIEWS**

(FROM FRONT & BACK  
NOT TO SCALE)



**SECTION A-A**

SCALE 10:1



NOTES :

MATERIAL :  
**Plastic**

TOLERANCES UNLESS OTHERWISE SPECIFIED  
FRACTIONAL ±1/64  
2 PLC. DEC. ±.01  
3PLC. DEC. ±.001  
ANGULAR ±.5°  
FINISH √

DRAWN BY : BD

DATE: 04/28/08

DESCRIPTION :

**Wall Mount Cover**

A P P R O V E D

ENG :

USED ON :

MFG :

PATH :

QA :

PDF NAME:

**Wall Mount Cover-5**

SCALE : AS SHOWN

SHEET : 1 of 1

REV: SIZE  
A