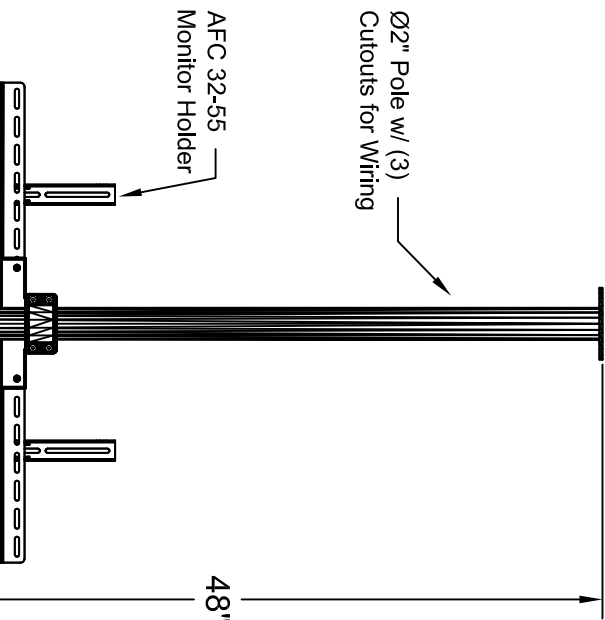
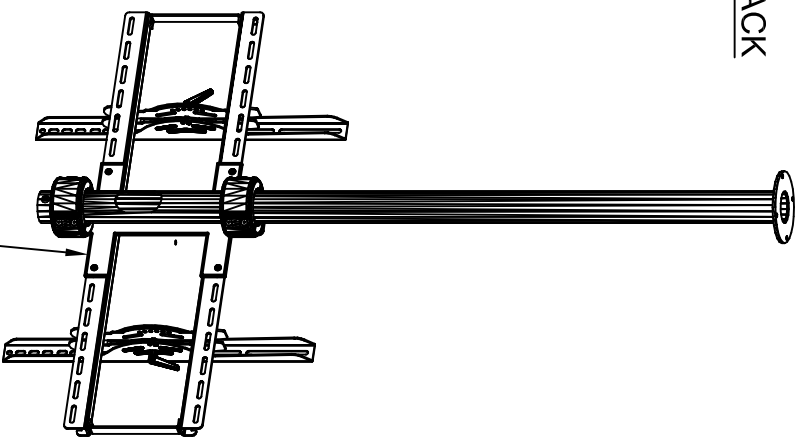


FRONT



ISOMETRIC VIEWS



BACK

BACK VIEW

NOTES :

* - customer has to approve ceiling mount flange or give AFC own requirements for ceiling mount connection

MATERIAL :

TOLERANCES UNLESS OTHERWISE SPECIFIED
FRACTIONAL ±1/64
2 PLG. DEC. ±.01
3 PLG. DEC. ±.001
ANGULAR
FINISH

±5°
32°

DRAWN BY : BD

A P P R O V E D

DATE: 05/15/13

DESCRIPTION :
Ceiling Monitor Holder

USED ON :

ENG :
MFG :
QA :
SCALE: ~1 = 1' - 0"

PATH :
VFin.Assy\Accessories\Monitor Arms & Holders\Ceiling\
PDF NAME: Ceiling VESA 400X200 Monitor Holder_01

REV: SIZE
A