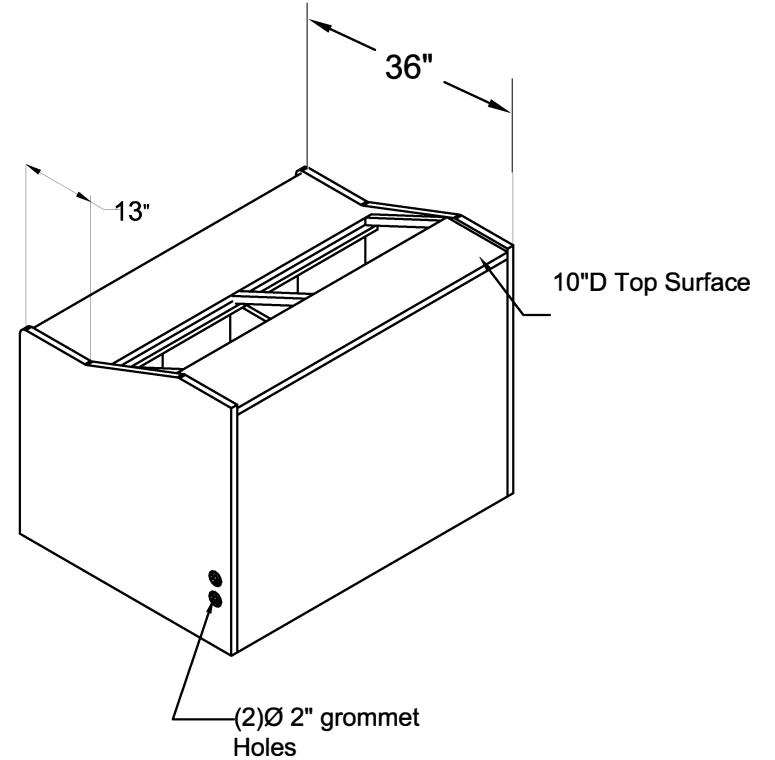
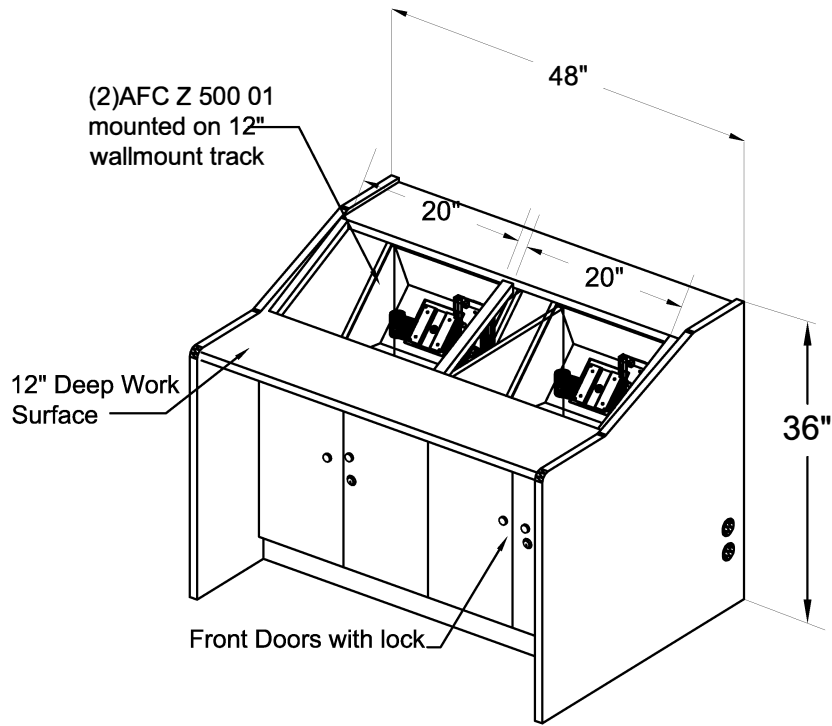


FRONT ISOMETRIC VIEW

REAR ISOMETRIC VIEW



NOTES:
Concept drawing only.
Final design may vary.

MATERIAL:
TOLERANCES UNLESS OTHERWISE SPECIFIED
FRACTIONAL ±1/64
2 PLC. DEC. ±.01
3PLC. DEC. ±.001
ANGULAR ±.5°
FINISH

DRAWN BY: MK
DATE: 06-03-10
A P P R O V E D
ENG :
MFG :
QA :

SHEET: 1 OF 1

DESCRIPTION :
B Line Console
USED ON :
PATH :
PDF NAME: BL_48_36_01
REV: SIZE A