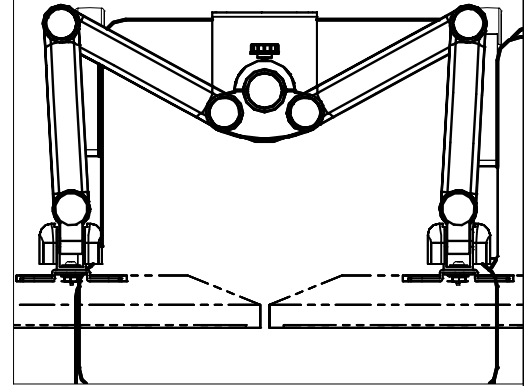
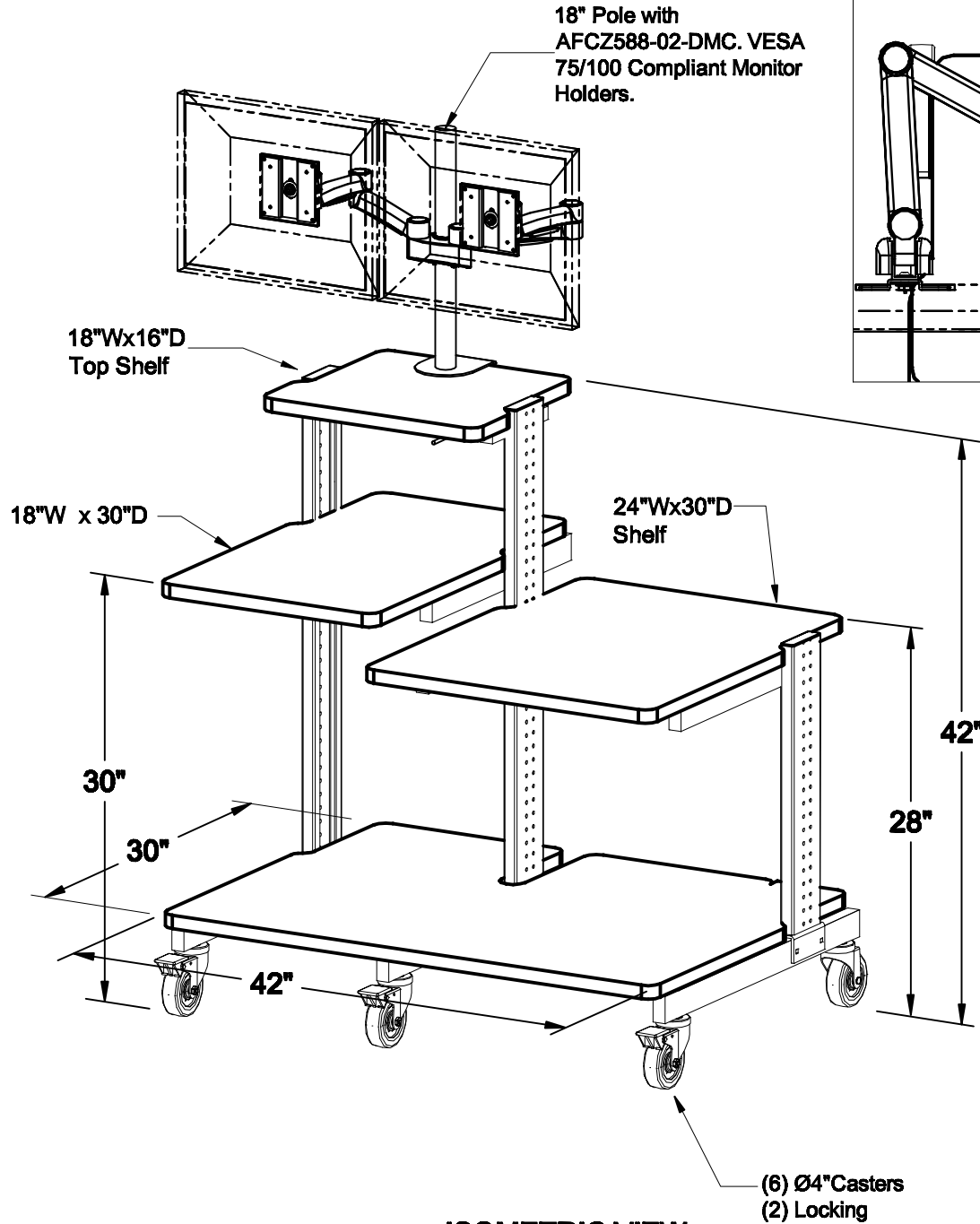


All shelves having T-Molding



**TOP VIEW**  
SCALE: 1-1/2" = 1' - 0"

**ISOMETRIC VIEW**

MATERIAL :	DRAWN BY: <b>BD/JK</b>	DATE: <b>06/11/14</b>	DESCRIPTION :	
	A P P R O V E D		<b>Omnibus</b>	
TOLERANCES UNLESS OTHERWISE SPECIFIED FRACTIONAL ±1/64 2 PLC. DEC. ±.01 3PLC. DEC. ±.001 ANGULAR FINISH	ENG:		SKU NUMBER :	
	MFG:		<b>772312</b>	
	QA:		PATH :	
	SCALE: ~1" = 1' - 0"	SHEET: <b>1 OF 1</b>	NUMBER :	REV: SIZE
			<b>OB423042 T S 0 2FZ 0 0 0 01</b>	<b>A</b>