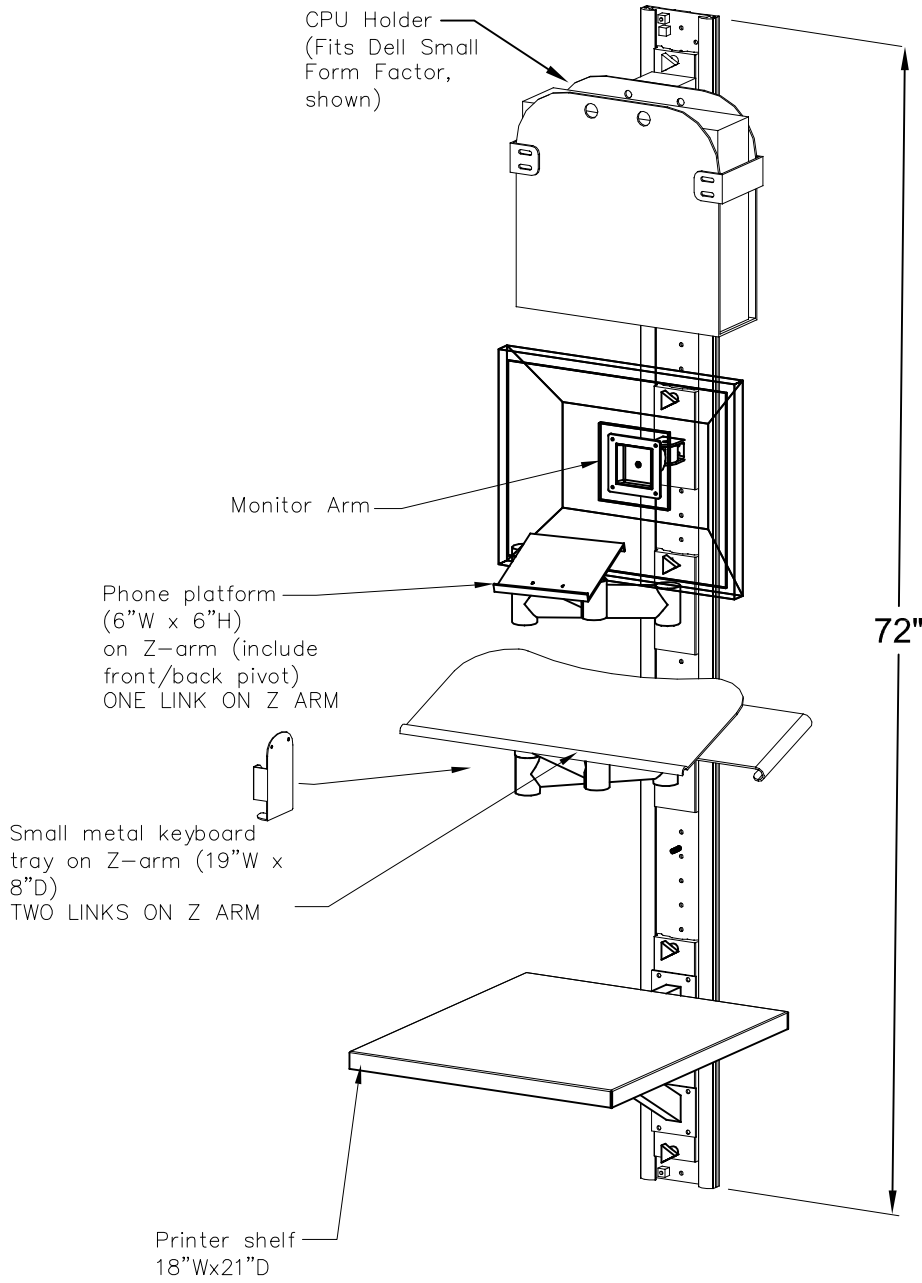


All accessories individually height adjustable

**ISOMETRIC VIEW**

MATERIAL :	DRAWN BY: BD/YN	DATE: 09/11/12	DESCRIPTION :	
	APPROVED		Wall Mount	
TOLERANCES UNLESS OTHERWISE SPECIFIED FRACTIONAL ±1/64 2 PLC. DEC. ±.01 3 PLC. DEC. ±.001 ANGULAR ±.5° FINISH √	ENG :		USED ON :	
	MFG :		PATH :	
	QA :		NUMBER :	
	NOT TO SCALE	SHEET : 1 OF 1	WM90_C_F_SHZ_KBZ_SH_01	REV: SIZE
				A



All accessories individually height adjustable

**ISOMETRIC VIEW**

MATERIAL : .	DRAWN BY: BD/YN	DATE: 09/11/12	DESCRIPTION : Wall Mount
	A P P R O V E D		USED ON : .
TOLERANCES UNLESS OTHERWISE SPECIFIED FRACTIONAL ±1/64 2 PLC. DEC. ±.01 3 PLC. DEC. ±.001 ANGULAR ±.5° FINISH $\sqrt{32}$	ENG :		PATH : .\F.Assy\Wallmount\Vertical\
	MFG :		NUMBER : WM72_C_F_SHZ_KBZ_SH_01
	QA :		REV: SIZE . A
	NOT TO SCALE	SHEET: 1 OF 1	