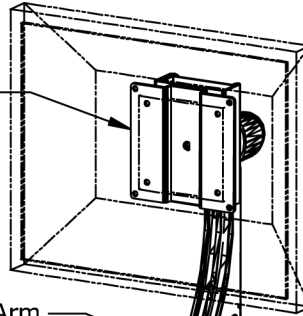


Wire Managers

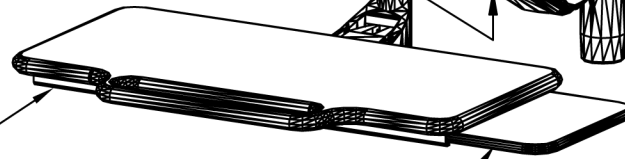
Monitor Holder Plate
VESA 75/100
Compliant



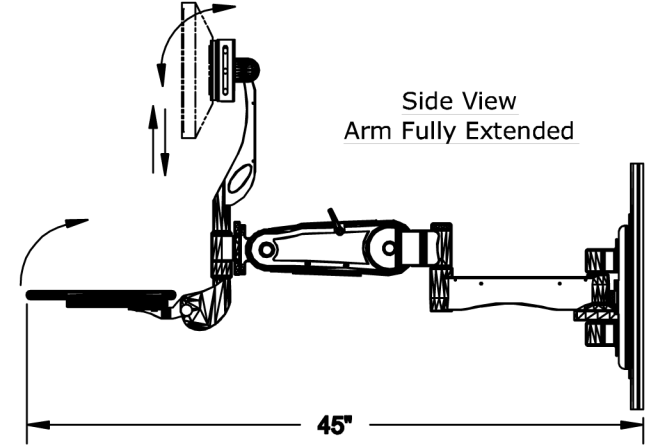
Monitor Arm

Pneumatically height adjustable arm with lock for varying loads

Foldable Keyboard Tray with handle

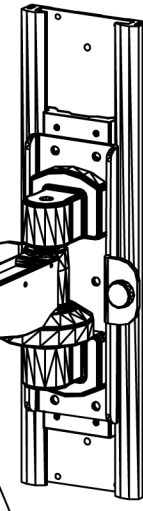


Sliding Mouse Tray



Side View
Arm Fully Extended

45°



SIDE VIEW
Arm Folded
against wall

18"



8"

Extension
12"

NOTES :

Monitor Weight < 20lbs

MATERIAL :
AS NOTED ABOVE

TOLERANCES UNLESS OTHERWISE SPECIFIED
FRACTIONAL ±1/64
2 PLC. DEC. ±.01
3PLC. DEC. ±.001
ANGULAR ±.5°
FINISH √

DRAWN BY: PR

DATE: 05/09/12

A P P R O V E D

ENG :

MFG :

QA :

SCALE : NOT TO SCALE

SHEET : 1 OF 1

DESCRIPTION :
Wall Mount

SKU NUMBER :
772250

PATH : L:\Final_Assbly\Wall Mounts\AFC7808\2012

PDF NAME:
WM18_AFC7808_12-01

REV: SIZE
A