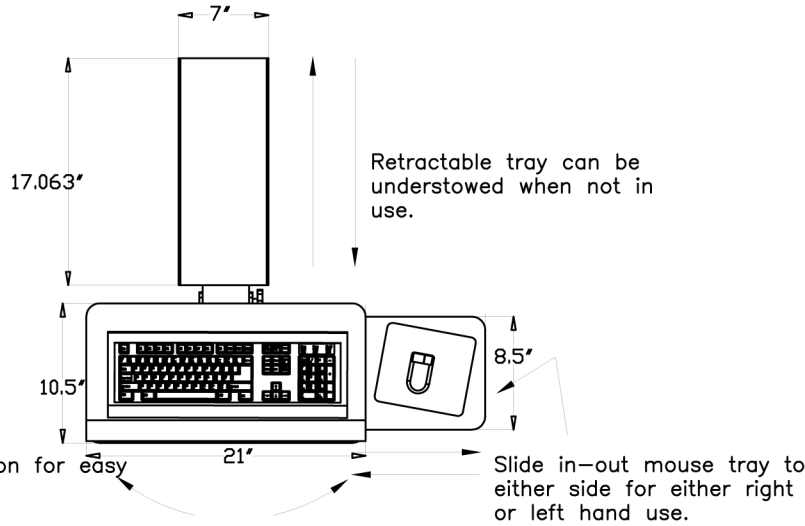
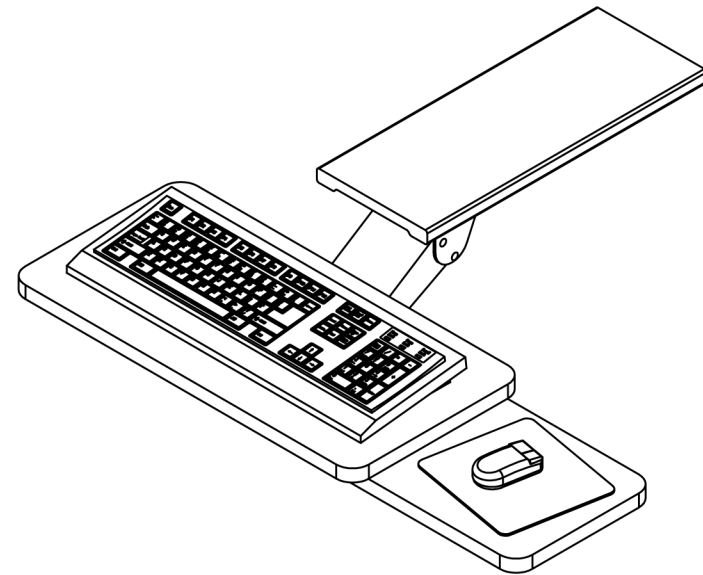


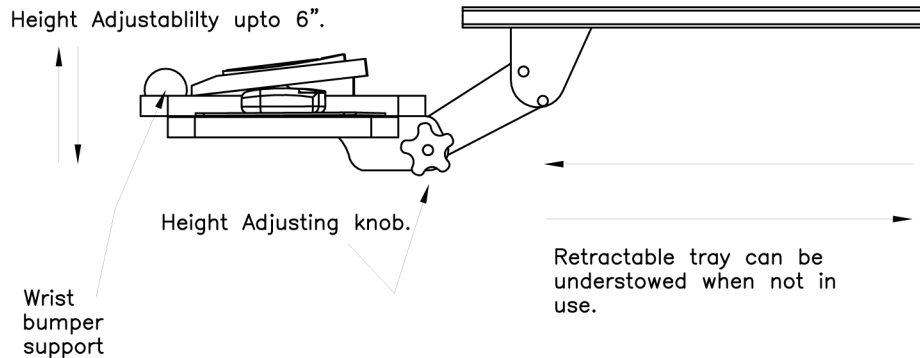
TOP VIEW KA6000/TR2000



ISO VIEW KA6000/TR2000



SIDE VIEW KA6000/TR2000



MATERIAL :
AS NOTED ABOVE

TOLERANCES UNLESS OTHERWISE SPECIFIED
FRACTIONAL ±1/64
2 PLC. DEC. ±.01
3PLC. DEC. ±.001
ANGULAR ±.5°
FINISH 32/

DRAWN BY : DJW

ENG :

MFG :

QA :

SCALE : N.T.S.

DATE: 06/02/06

A P P R O V E D

DESCRIPTION :NOTES :

KA6000/TR2000

USED ON :
XX

PATH : F.Assmby\Accessories\Keyboard accessory

NUMBER : KA6000-TR2000

FOLDER :

REV: SIZE

A