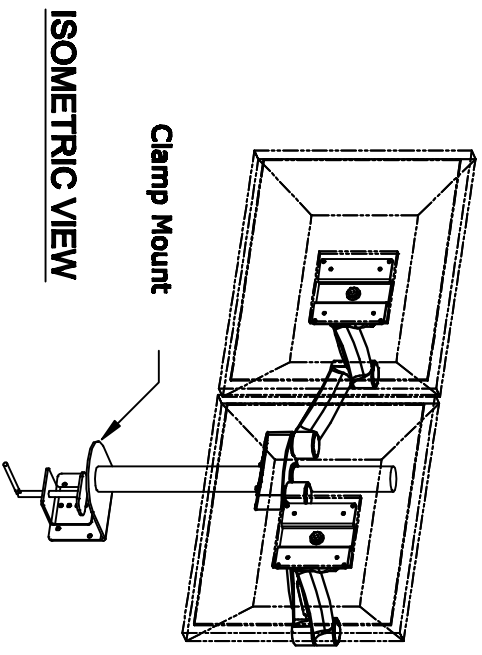
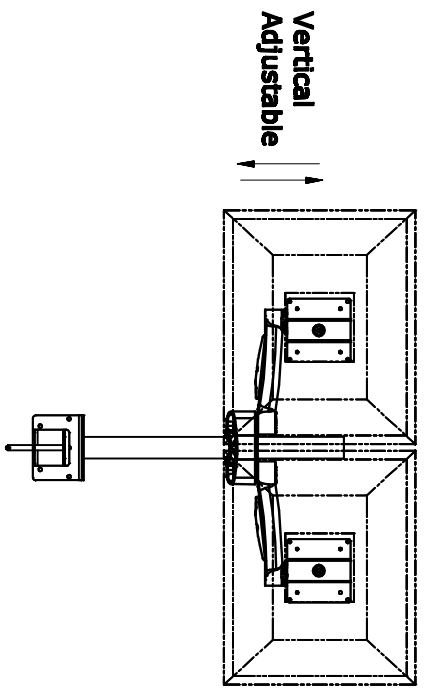


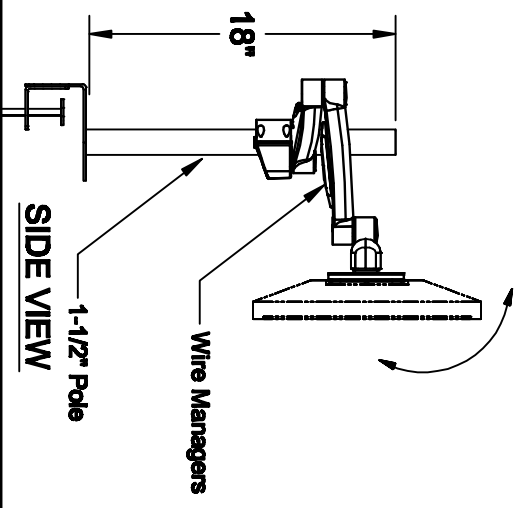
TOP VIEW



ISOMETRIC VIEW



FRONT VIEW



SIDE VIEW

NOTES : MATERIAL : DRAWN BY : PR DATE: 03/25/2010 DESCRIPTION : Monitor Mounts - Desktop Mount

AS NOTED ABOVE

A P P R O V E D

ENG :

MFG :

QA :

SCALE : N.T.S. SHEET : 1 of 1

USED ON :

PATH : FindAssemblies/Accessories/MonitorsArms/Z-Series/2010

PDF NAME: AFCZ588-02-DMC-18P

FOLDER : REV: SIZE A

TOLERANCES UNLESS OTHERWISE SPECIFIED
FRACTIONAL ±1/64
2 P.L.C. DEC. ±.01
3 P.L.C. DEC. ±.001
ANGULAR ±.5°
FINISH 1/2