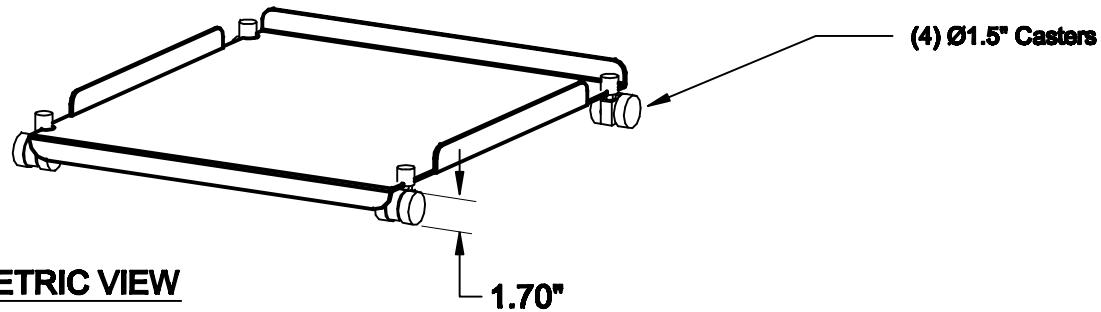
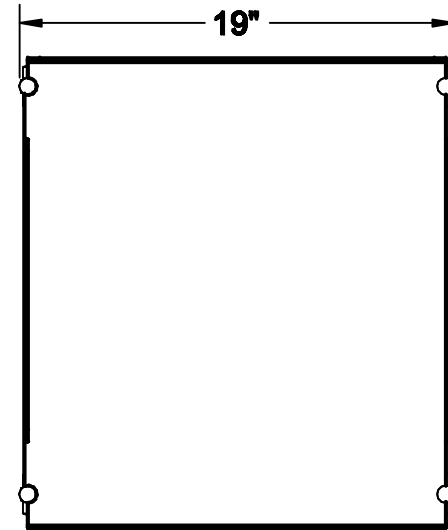


TOP VIEW

TOP VIEW
(Casters turned inside)



ISOMETRIC VIEW

NOTES :	MATERIAL :	DRAWN BY: BD/SS	DATE: 06/22/16	DESCRIPTION :
		APPROVED		Metal Rolling Shelf
	TOLERANCES UNLESS OTHERWISE SPECIFIED	ENG :		USED ON :
	FRACTIONAL ±1/64 2 PLC. DEC. ±.01 3PLC. DEC. ±.001 ANGULAR FINISH	MFG :		PATH : \\Fin.Assy\Accessories\Storage Access\Rolling Shelf
	QA :	SCALE: ~1-1/2" = 1' - 0"	SHEET: 1 OF 1	PDF NAME: EXSHR Metal 18x20_03
				REV: SIZE A