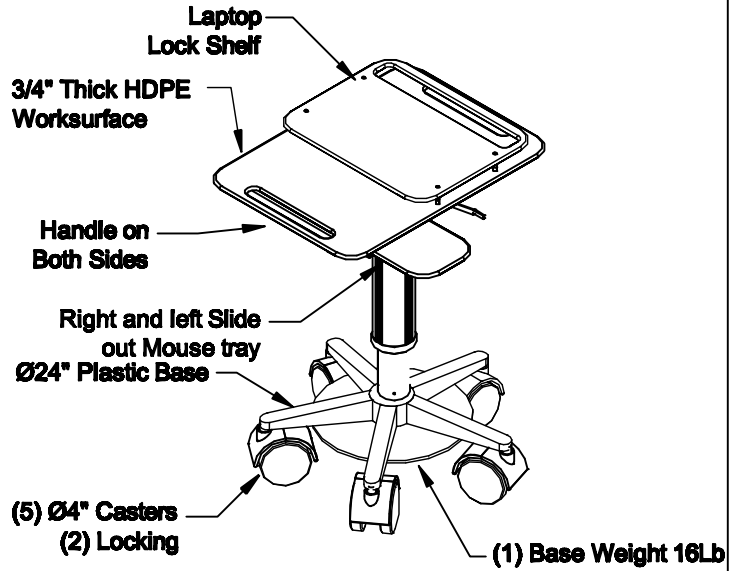
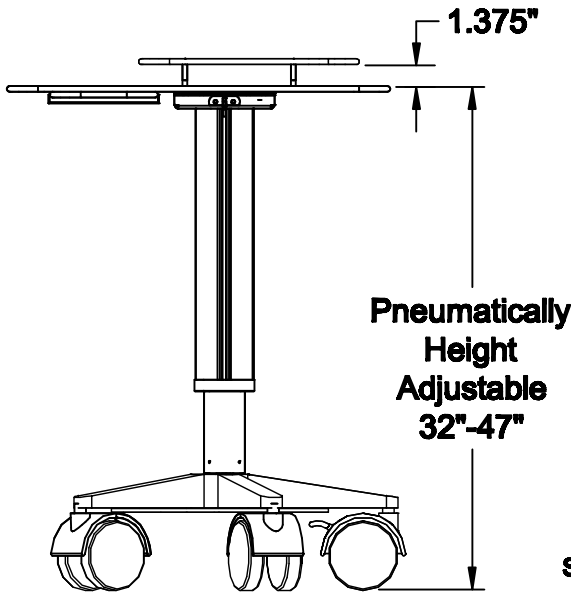


TOP VIEW
SCALE: 1" = 1' - 0"



ISOMETRIC VIEW
SCALE ~3/4" = 1' - 0"



SIDE VIEW
SCALE: 1" = 1' - 0"

NOTE:
175N Gas spring

DRAWN BY: BD

DATE: 8/31/20

DESCRIPTION:

Laptop Cart

APPROVED

USED ON:

TOLERANCES UNLESS OTHERWISE SPECIFIED
FRACTIONAL ±1/64
2 PLC. DEC. ±.01
3PLC. DEC. ±.001
ANGULAR
FINISH

ENG:

MFG:

QA:

SCALE AS SHOWN

SHEET: 1 OF 1

PATH:
\\Fin.Assy\Maxflex\Laptop Cart\LPC200\

NUMBER:
LPC200_1825_LSh16_001

SIZE
A4