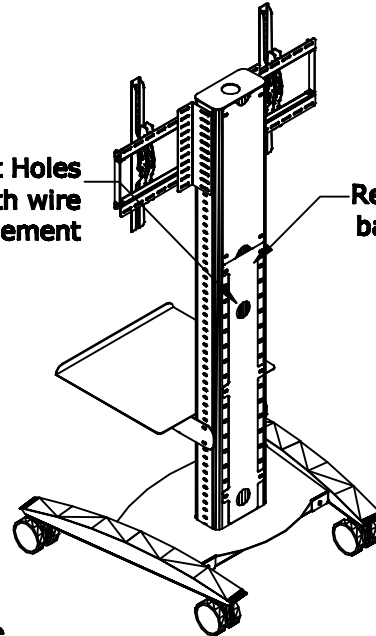


Grommet Holes for smooth wire management

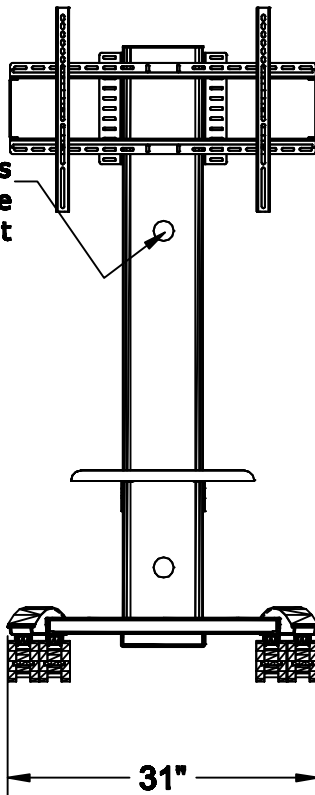
Removable back panel



ISOMETRIC VIEWS

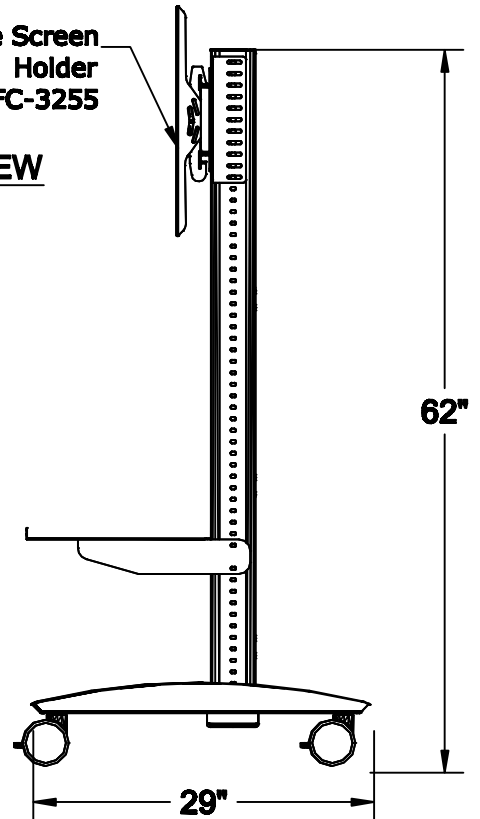
FRONT VIEW

2" Grommet Holes for smooth wire management



(1) Large Screen Holder
AFC-3255

SIDE VIEW



NOTES: MAX WEIGHT CAPACITY FOR SCREEN BRACKET: 125LBS.
MAX MOUNTING HOLE PATTERN FOR SCREEN: 700MM. X 400MM.
RECOMMENDED SCREEN SIZE: 32"-60"

NOTES: WEIGHT AND MOUNTING HOLE PATTERN MUST BE WITHIN SPECIFICATIONS.

DRAWN BY : GM/CLP

DATE: 10/13/16

DESCRIPTION : XLCD PLASMA CART

A P P R O V E D

ENG :

MFG :

QA :

SCALE: ~3/4" = 1' - 0"

SHEET : 1 OF 1

SKU NUMBER :

772022

PATH :

/Final Assembly/Carts&Rack/Plasma Cart/XLCD250/

NUMBER :

XLCD250_AFC3255_1816SH_02

REV: SIZE

A

TOLERANCES UNLESS OTHERWISE SPECIFIED
OVERALL HT. ±1"
FRACTIONAL ±1/64
2 PLC. DEC. ±.01
3PLC. DEC. ±.001
ANGULAR ±.5°
FINISH √