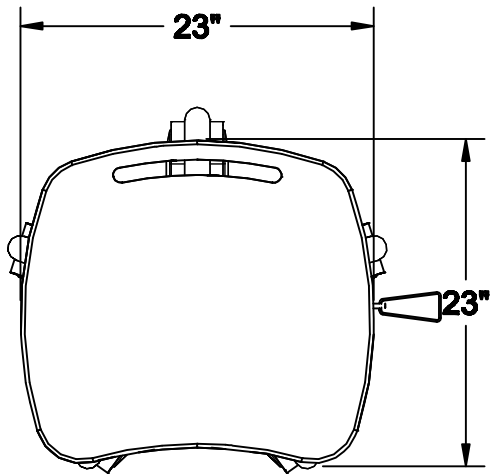
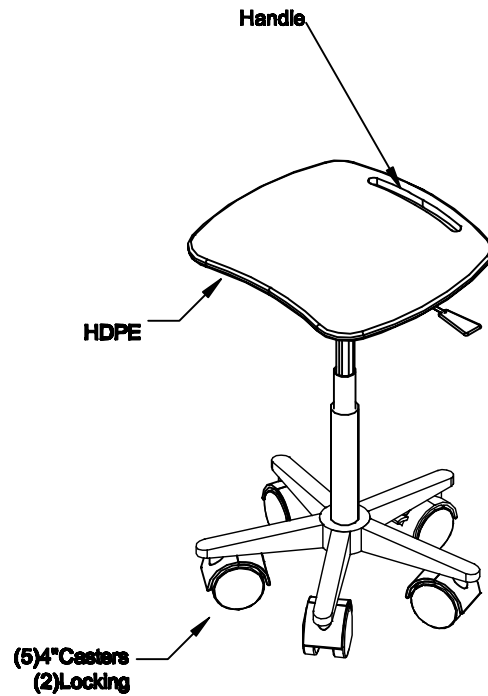


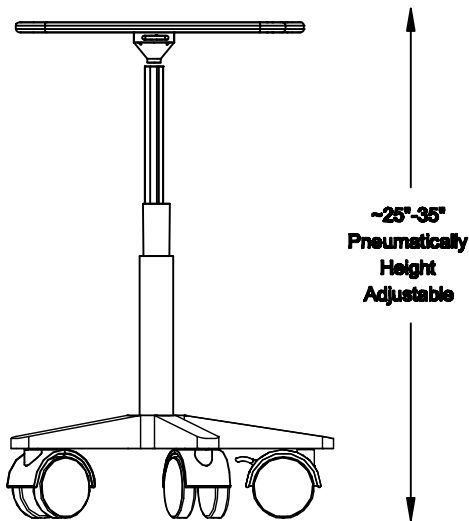
TOP VIEW



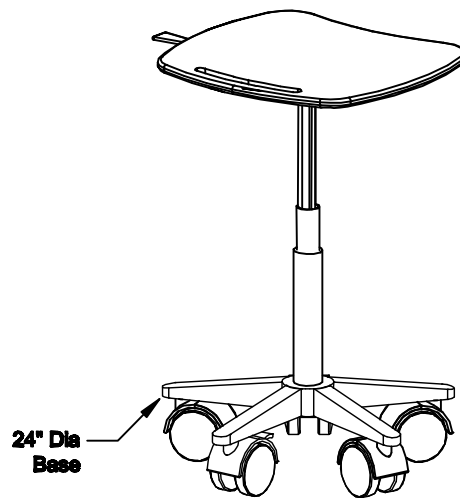
ISOMETRIC VIEW



SIDE VIEW



REAR ISO VIEW



150N REQ: Height range +-2"	DRAWN BY : VGM	DATE:10/28/11	DESCRIPTION :
	A P P R O V E D		LAPTOP CART
TOLERANCES UNLESS OTHERWISE SPECIFIED FRACTIONAL ±1/64 2 PLC. DEC. ±.01 3PLC. DEC. ±.001 ANGULAR ±.5° FINISH √32	ENG :		USED ON :
	MFG :		PATH : Maxflex/Laptop Cart/PC-LS
	QA :		PDF NAME: PCLS-HD-2323-01
	SCALE: N.T.S.	SHEET : 1 of 1	