

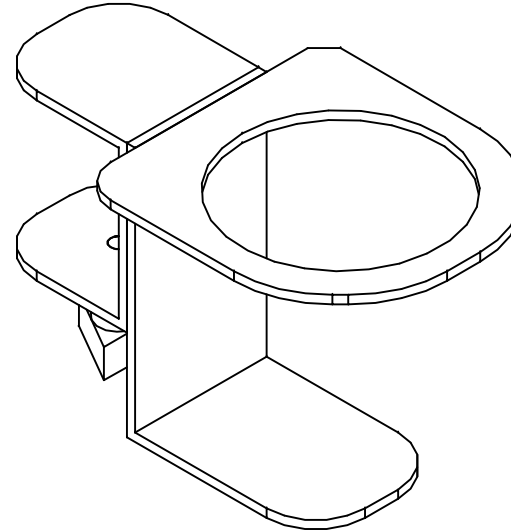
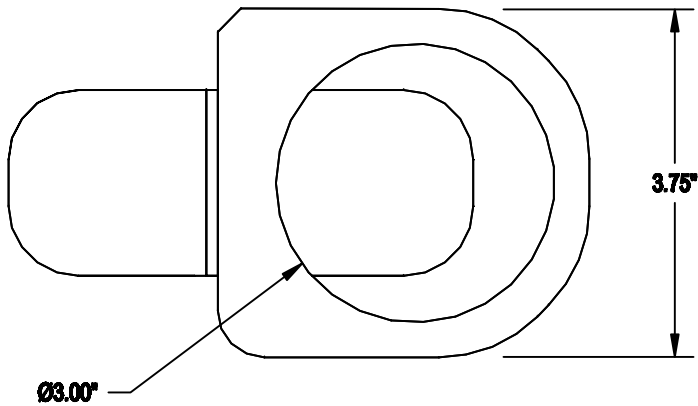


13-16 133 PLACE  
COLLEGE POINT, NY 11356

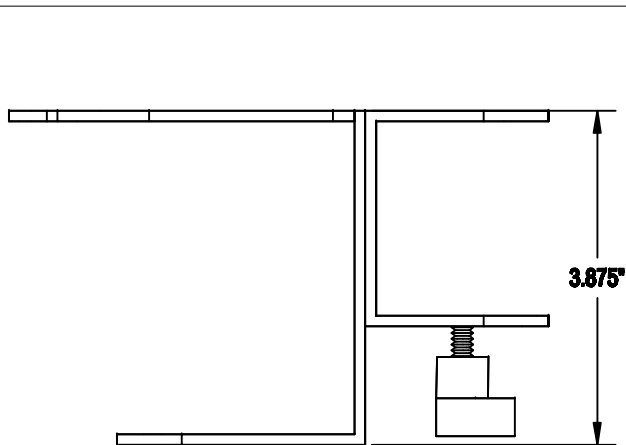
TEL: (718)747-0237  
FAX: (718)747-0726

THE PLANS AND DRAWINGS CONTAINED HEREIN ARE PROPRIETARY AND MAY NOT BE COPIED OR REPRODUCED MECHANICALLY, ELECTRONICALLY OR BY ANY MEANS WITHOUT WRITTEN PERMISSION FROM AFC INDUSTRIES, INC.

TOP VIEW



ISO VIEW



NOTES :

MATERIAL :  
11 GA CRS

TOLERANCES UNLESS OTHERWISE SPECIFIED  
FRACTIONAL ±1/64  
2 PLC. DEC. ±.01  
3PLC. DEC. ±.001  
ANGULAR ±.5°  
FINISH √

DRAWN BY :

A P P R O V E D

ENG :

MFG :

QA :

SCALE : N.T.S.

DATE:03/22/16

SHEET : 1 OF 1

DESCRIPTION :

MCH-200 Cup Holder

SKU NUMBER :  
771728

PATH :  
F.Assembly\Accessories\Cup Holder\

NUMBER :  
Cup HolderMCH-100

FOLDER :

REV: SIZE  
A