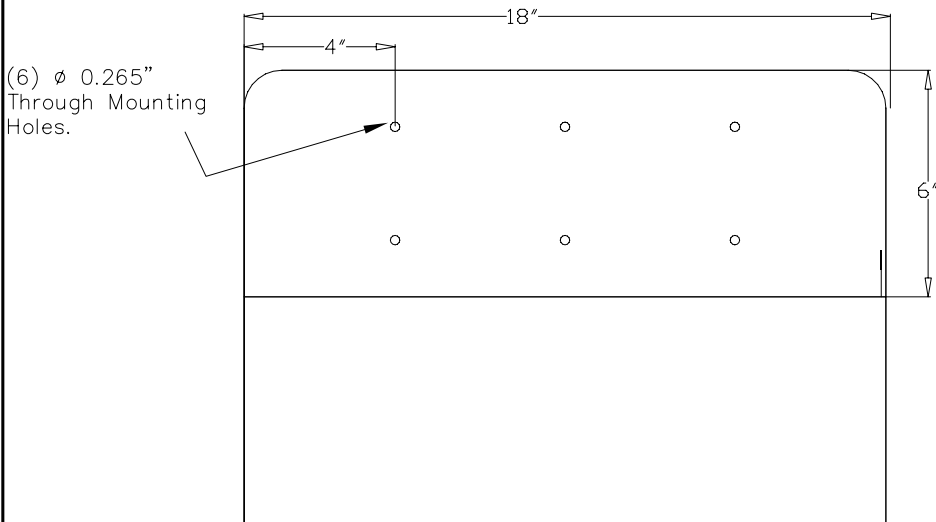
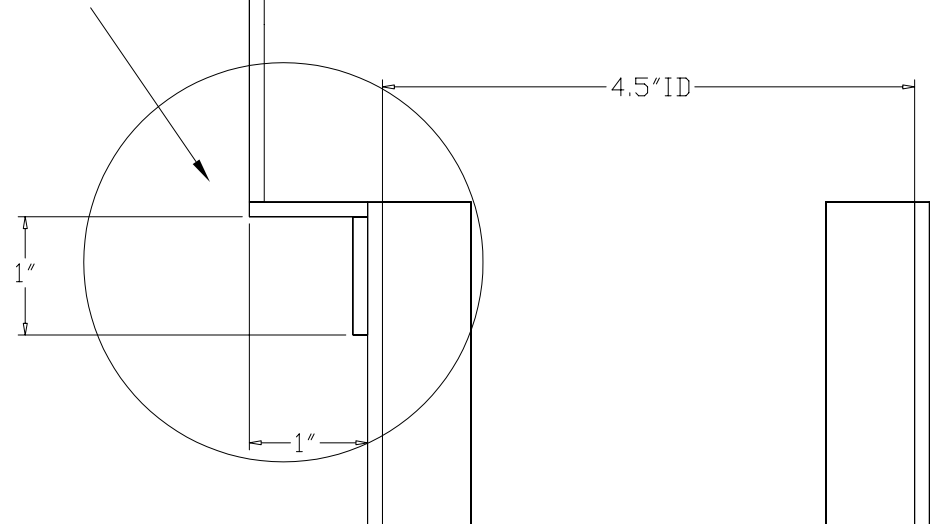
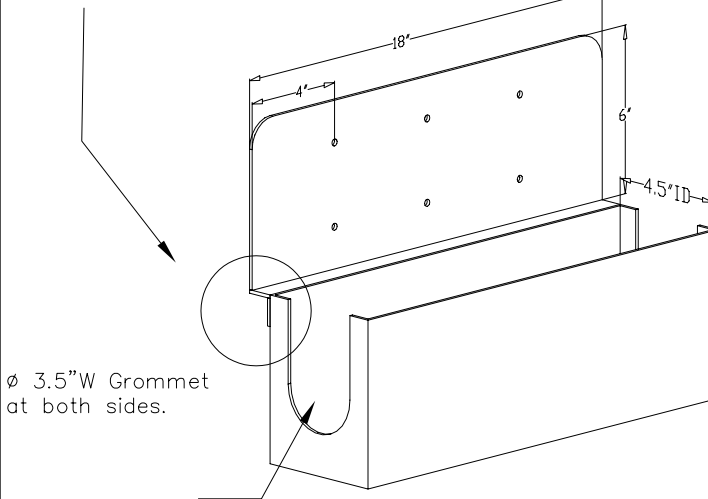


Section A



(6) ϕ 0.265" Through Mounting Holes.

Section A



ϕ 3.5"W Grommet at both sides.

NOTES : ALL UNITS IN INCHES.

MATERIAL : 16 G CRS

DRAWN BY : VGM

DATE: 04/27/04

DESCRIPTION : CPU holder

16 G CRS

TOLERANCES UNLESS OTHERWISE SPECIFIED

FRACTIONAL $\pm 1/64$
2 PLC. DEC. $\pm .01$
3 PLC. DEC. $\pm .001$
ANGULAR $\pm .5^\circ$
FINISH $\sqrt{32}$

A P P R O V E D

ENG :

MFG :

QA :

SCALE : N.T.S.

USED ON :

PATH :

cad\accessories\cpu holders

PDF NAME: CPU -06

FOLDER :

REV: SIZE
A