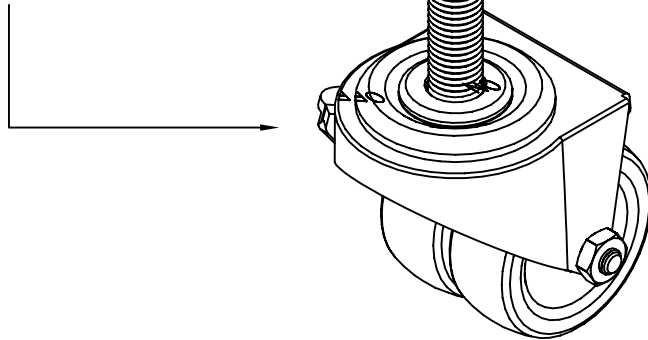
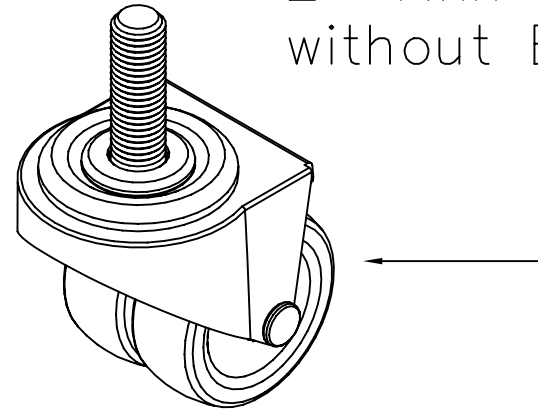


2" Twin Casters with Brakes



2" Twin Casters without Brakes



NOTES :

MATERIAL : AS NOTED ABOVE	DRAWN BY : VGM	DATE: 12/04/03	DESCRIPTION : 2" Twin Casters
	A P P R O V E D		USED ON :
TOLERANCES UNLESS OTHERWISE SPECIFIED	ENG :		PATH :
FRACTIONAL ±1/64	MFG :		F.Assembly\Accessories\Glides & Casters\Casters\New
2 PLC. DEC. ±.01	QA :		PDF NAME: Cas-2T
3PLC. DEC. ±.001	SCALE : N.T.S.	SHEET : 7 OF 12	REV: SIZE
ANGULAR ±.5°			A
FINISH $\sqrt{\text{V}}$			