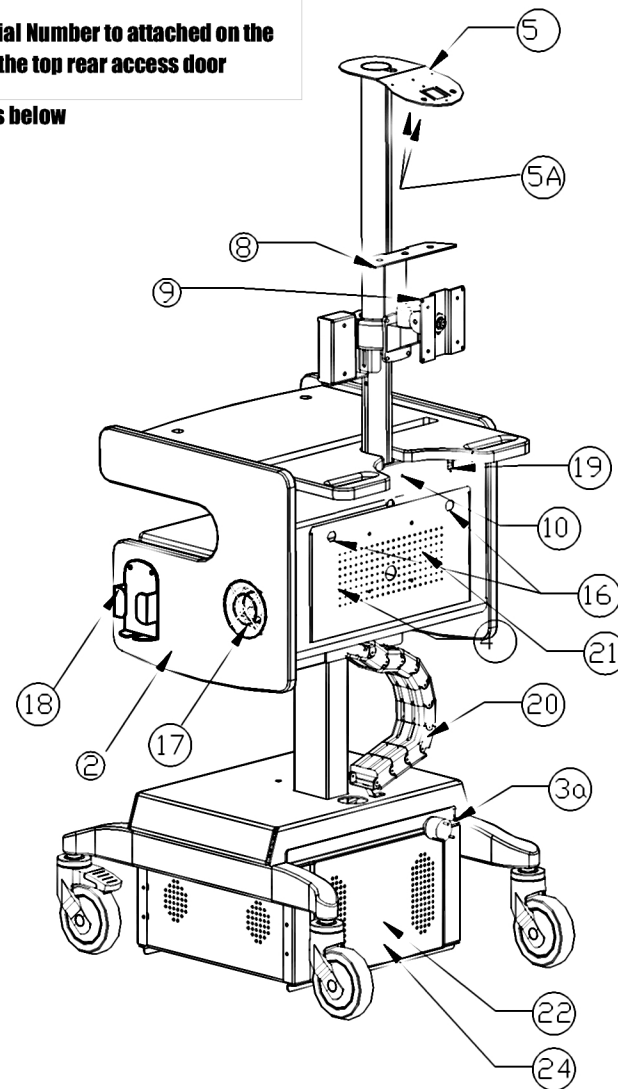


COMPONENTS:

- 1- REMOVABLE, LOCKABLE WORK SURFACE
- 2- SIDE PANEL
- 3- BASE ENCLOSURE (INCLUDES POWER SUPPLY, PS-TL-54)
- 3a- RETRACATBLE POWER CORD
- 4- ENCLOSURE (LOCATION FOR ROUTER, STI MODULE, VIDEO MODULE etc)
- 4- POWERSTRIP(SPS606HGRA) inside the enclosure mounted with screws
- 5- CAMERA MOUNT BRACKET
- 5a-WIRE CLIPS
- 6- E-LERT MOUNT BRACKET
- 7- RETRACATBLE KEYBOARD TRAY
- 8- ANTENNA MOUNT BRACKET
- 9- MONITOR MOUNT BRACKET-AFCZ5-00
- 10- SPEAKER MOUNTING HOLE(10-32 THREADED)
- 11- 5" CASTERS
- 12- ELECTRIC ACTUATOR
- 13- BATTERY CHARGE INDICATOR
- 14- HEIGHT CONTROL SWITCH
- 15- HANDLE, FRONT
- 16- LOCK (2)
- 17- FAN
- 18-MOUSE HOLDER
- 19-SCREW MOUNT CAT5(RJ45)
- 20-WIRE MANAGER WMF100
- 21- HEIGHT ADJUSTABLE L BRACKET (inside enclosure)
- 22-REMOVABLE COVERS
- 23-POLE COVER
- 24-ACTUATOR CONTROL (inside)

NOTE: Serial Number to attached on the inside of the top rear access door

See notes below



NOTES:
-Locks to be keyed alike
-Front two caster to be with brakes
-Undermount cable managers not to block any holes

MATERIAL:
 TOLERANCES UNLESS OTHERWISE SPECIFIED
 For Linear & angular dimensions ±1/4"

DRAWN BY : BN/GMLV **DATE: 11-25-16**

A P P R O V E D

ENG :
 MFG :
 QA :

SCALE : N.T.S. SHEET : 1 OF 1

DESCRIPTION :
CACI TELEMED CART

SKU NUMBER :
 772080

PATH :

PDF NAME: **CA-PC910-503-REV 05** REV: 05 SIZE