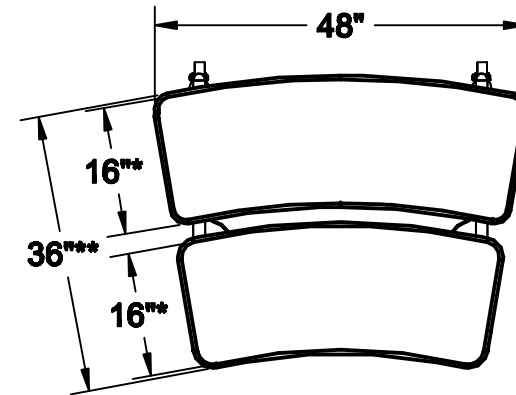




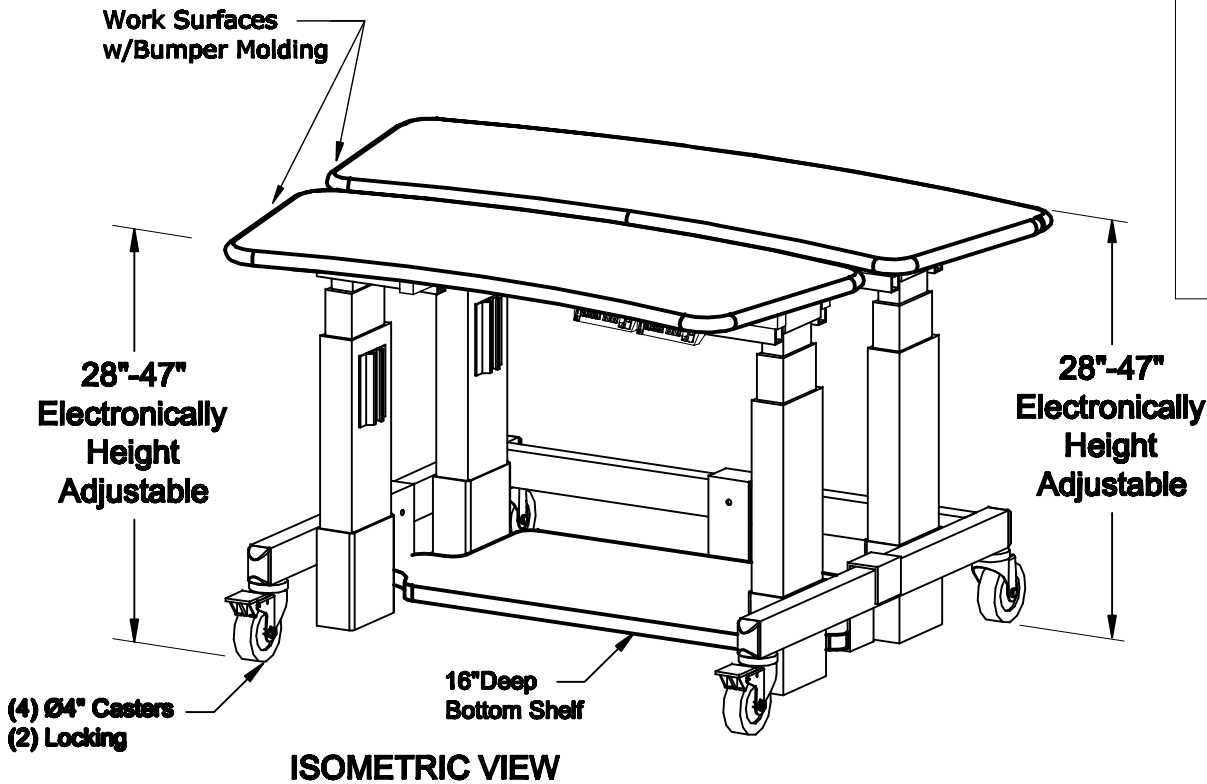
13-16 133 PLACE
COLLEGE POINT, NY 11356

TEL: (718) 747-0237
FAX: (718) 747-0726

THE PLANS AND DRAWINGS CONTAINED HEREIN ARE PROPRIETARY AND MAY NOT BE COPIED OR REPRODUCED MECHANICALLY, ELECTRONICALLY OR BY ANY MEANS WITHOUT WRITTEN PERMISSION FROM AFC INDUSTRIES, INC.



TOP VIEW
SCALE: 1/2" = 1' - 0"



NOTES: * - size of laminated surface ** - overall size	MATERIAL: .	DRAWN BY: BD DATE: 08/13/14	DESCRIPTION: Dual Tier Cart
	TOLERANCES UNLESS OTHERWISE SPECIFIED FRACTIONAL ±1/64 2 PLC. DEC. ±.01 3PLC. DEC. ±.001 ANGULAR FINISH	APPROVED	
		ENG: MFG: QA:	PATH: \Fin.Assy\MaxFlex\Dual Tier\DT4800\
		SCALE: ~1" = 1' - 0" SHEET: 1 OF 1	PDF NAME: DT4836 B S 0 0 0 0 B 01 REV: SIZE A